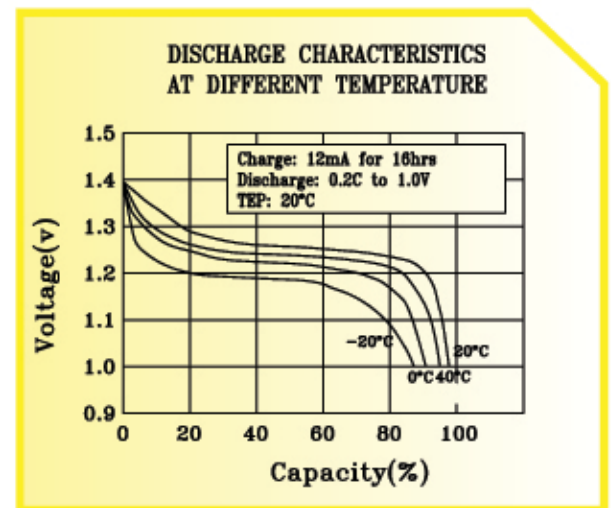
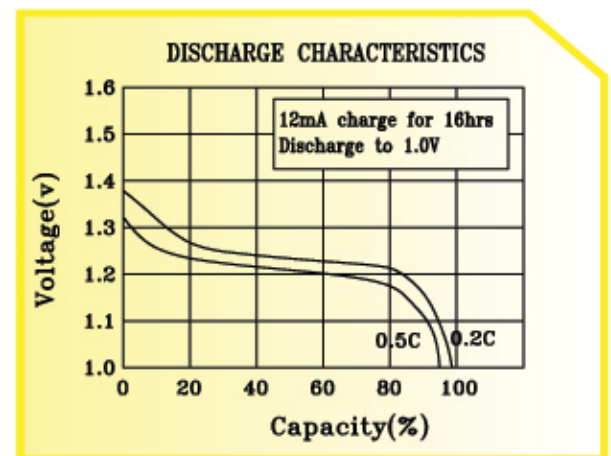
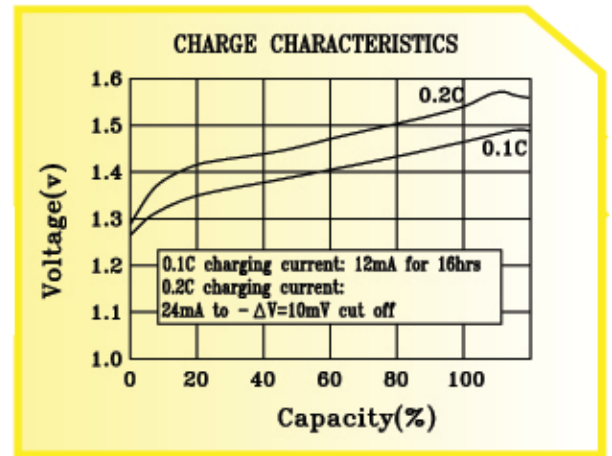


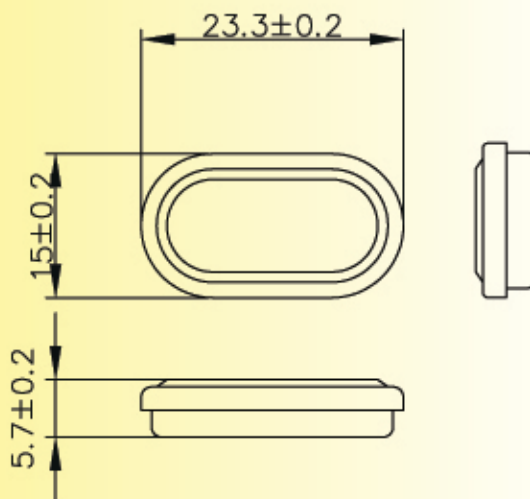
## Ni-cd rechargeable button cell

### Specification

Nominal Voltage		1.2V	
Dimensions	Length	23.3±0.2mm	
	Width	15.0±0.2mm	
	Height	5.7±0.2mm	
	Apx. Weight	5.0g	
0.2C Discharge Capacity		120mAh	
Typical Internal Impedance		Less than 150 mΩ	
Charge		12mA for 16hrs	
Life expectancy		500 cycles	
Operating Temperature	Charge	0°C to 40°C	
	Discharge	-10°C to 50°C	
	Storage	<1 year	-10°C to 30°C
		<3 months	-10°C to 40°C



### (CELL DIMENSIONS)



(With tube)

1:1